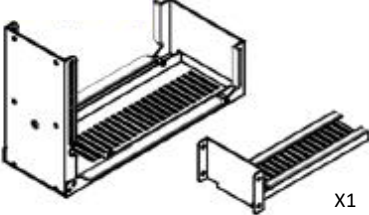


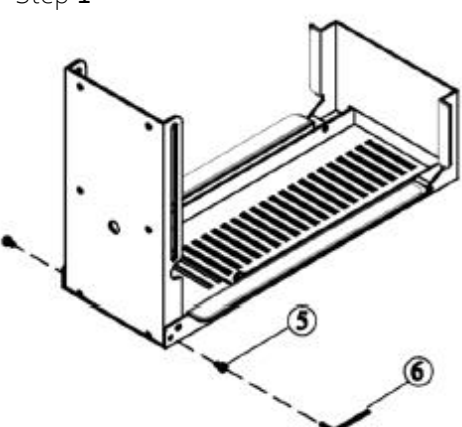


BCPU – Silver & White

	1.Handle X2	2.Socket head cap screw X2	3.Allen Key (4mm) X1	4.Wood screw X6	5.Socket head cap screw X2	6.Allen Key (3mm) X1
---	----------------	-------------------------------	-------------------------	--------------------	-------------------------------	-------------------------

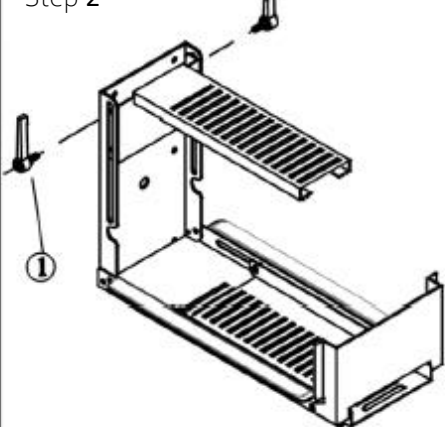
If using the locking set with this product, please follow instructions supplier with the locking set after step 4

Step 1



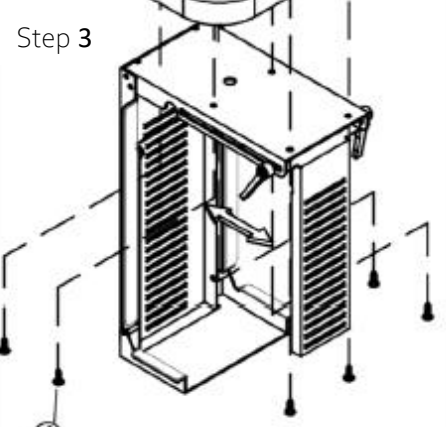
Fold out mounting plate and secure with two socket head screws (5) provided

Step 2



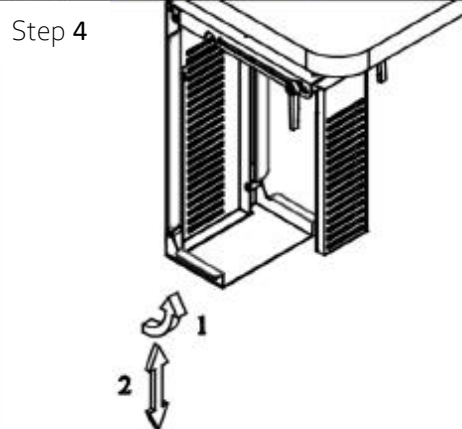
Insert side bar and tighten handles (1) provided – ensure these are not too tight and adjustment can still be made.

Step 3



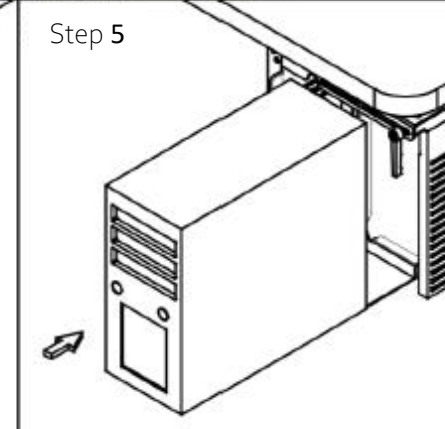
Secure to underside of desk using 6 wood screws (4) provided.

Step 4



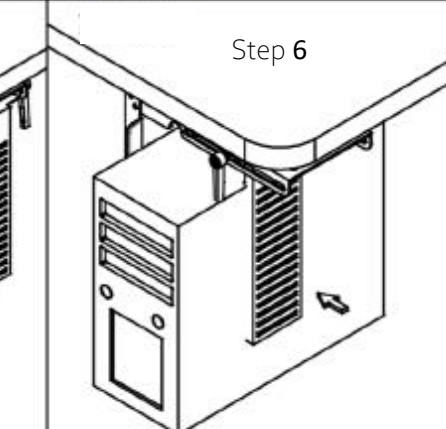
Fold down Foot and Lift out, slide rack to required position and secure on hook to adjust height.

Step 5



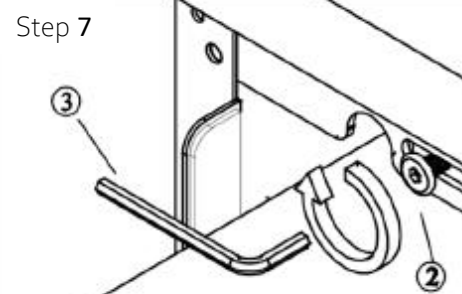
Place CPU on foot.

Step 6



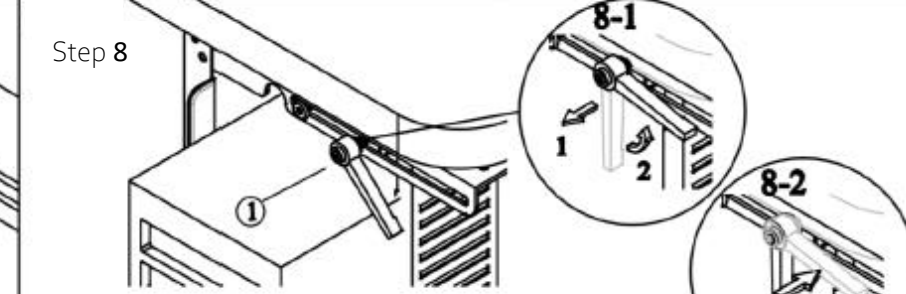
Adjust retaining arm and slide to provide firm grip on CPU.

Step 7



Tighten socket head cap screw (2)

Step 8



Completely tighten handle (note: handle does not need to perform complete rotation. After turning as far as possible pull handle out and return to start position, release and repeat) NOTE: You can also pull handle out and tighten screw with screwdriver (not provided)