



Laptop holder

Installing the laptop holder

This laptop holder is compatible with an adapter bracket that has a VESA 75x75 & at least a pitching angle of +60



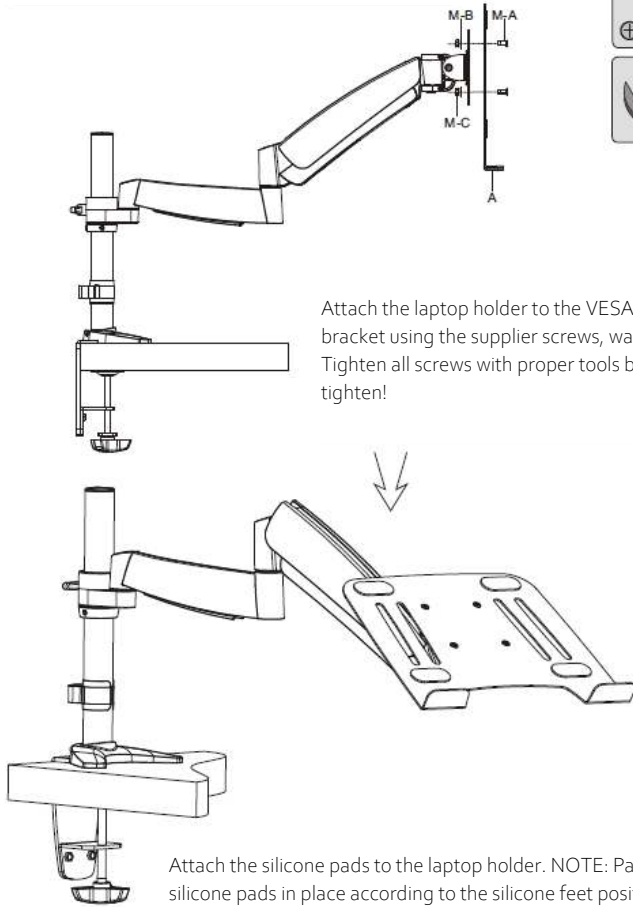
NOTE: Read the ensure instruction manual before you start installation and assembly.

WARNING

- Do not begin the installation until you have read and understood all the instructions and warnings contained in this installation street. If you have any questions regarding any of the instructions, please contact your local distributor.
- This mounting bracket was designed to be installed and utilised ONLY as specified in this manual. Improper installation of this product may cause damage or serious injury.
- Make sure that the supporting surface will safely support the combined weight of the equipment and all attached hardware and components.
- Tighten screws firmly, but do not over tighten. Over tightening can cause damage to the items, this greatly reduces their holding power.
- This product is intended for indoor use only. Using this product outdoors could lead to product failure and personal injury.

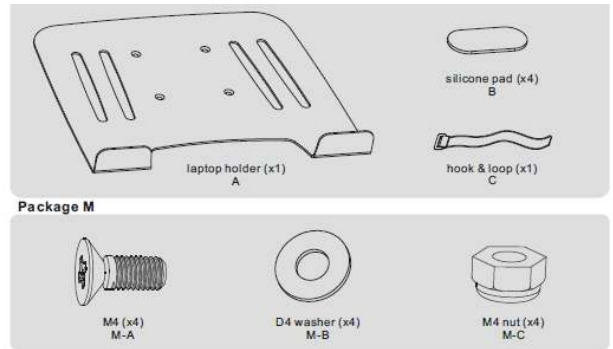
Component checklist

IMPORTANT: Ensure that you have received all parts according to the component check list prior to installing. If any parts are missing or faulty please contact your distributor for a replacement



Attach the laptop holder to the VESA adapter bracket using the supplier screws, washers and nuts. Tighten all screws with proper tools but do not over tighten!

Attach the silicone pads to the laptop holder. NOTE: Paste the silicone pads in place according to the silicone feet position on the back of the laptop



CAUTION: DO NOT EXCEED RATED LISTED WEIGHT. SERIOUS INJURY OR PROPERTY DAMAGE MAY OCCUR!

10"-15"

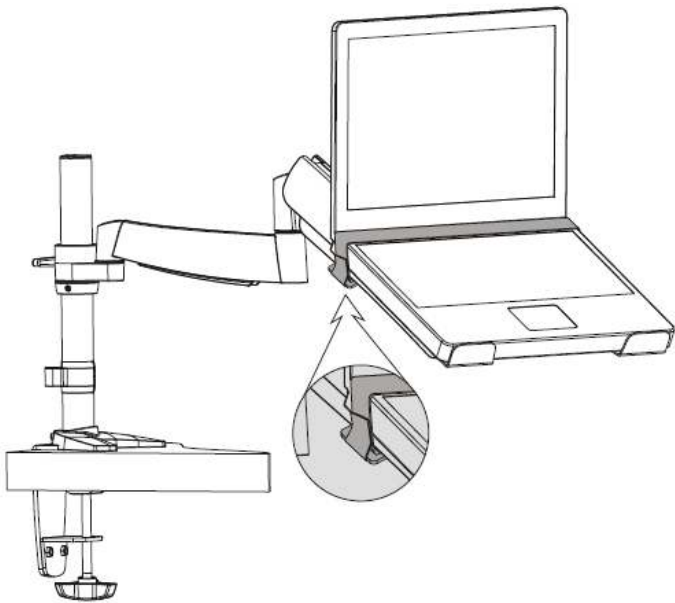
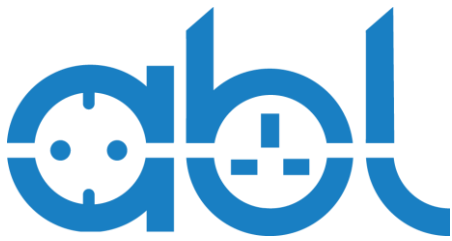


9kg
(19.8lbs)
RATED

Website: www.abl-uk.com

Tel: 01933 400 080

Email: sales@abl-uk.com



Place the laptop gently on the laptop holder and secure with the hook and loop. Make sure the laptop is securely placed before releasing the laptop

Maintenance

- Check that the bracket is secure and safe to use at regular intervals (at least every three months)
- Please contact your distributor if you have any questions

