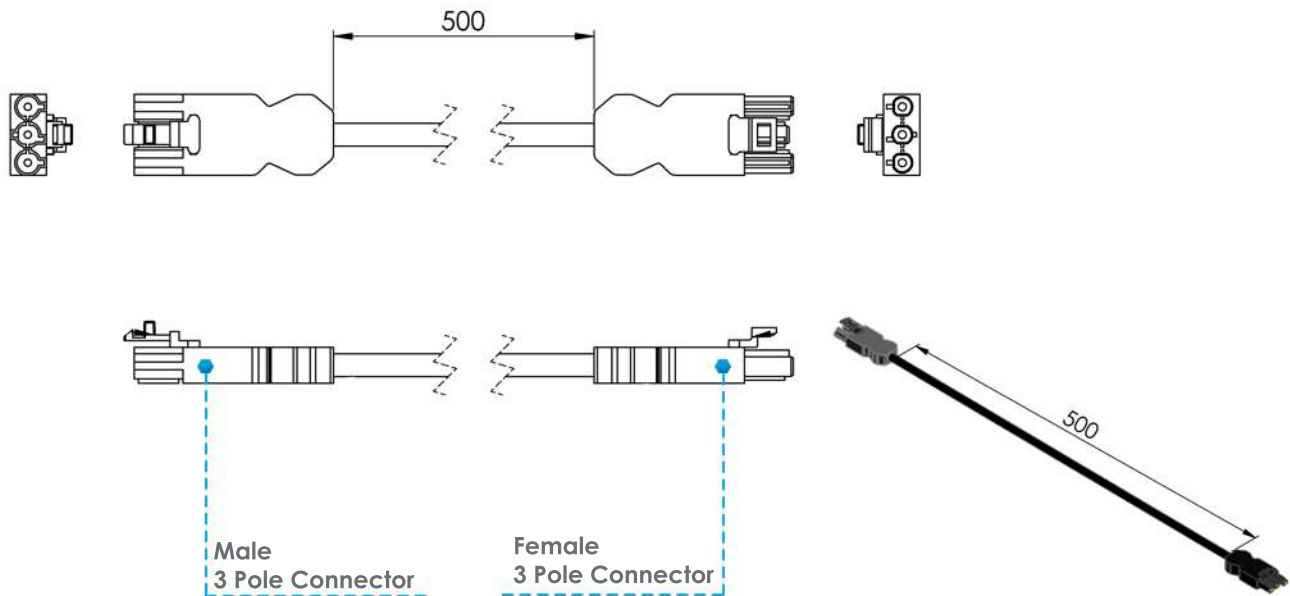


CABLES

CONNECTOR LEADS



SPECIFICATIONS

- Cable Type - H05VV-F
- Cable Core - 3 x 1.5mm
- Current Rating - 16A
- Voltage Rating - 250V AC
- 1st Connector Type - Male 3 Pole
- 2nd Connector Type - Female 3 Pole
- Colours - Black or White

